

7100 EPA WOOD FIREPLACE



**QUADRA-FIRE**

PERFORMANCE



Cover: 7100 shown with rolling meadows front and satin nickel front and door trim

Above: 7100 shown with mission hill front and satin nickel door trim

## POWERFUL AND EFFICIENT

The 7100 is an energy-efficient heating powerhouse. Automatic Combustion Control provides hassle-free ignition, and the Quadra-Fire Four Point Burn System helps achieve long, clean burns. This rugged fireplace is also built to last, enduring accelerated lifecycle testing—once again proving, “Nothing Burns Like A Quad.”

The Quadra-Fire 7100 is the cleanest burning, easiest to operate and most durable EPA wood-burning fireplace available. And of course, performance comes standard.

Automatic Combustion Control and the Four-Point Burn System are integral technologies in the 7100.

### AUTOMATIC COMBUSTION CONTROL

Automatic Combustion Control (ACC) is an advanced heat-management technology from Quadra-Fire. ACC feeds the fire with air when it's needed most—for precision start-up and consistent, extended burns.

To learn more visit [quadrafire.com](http://quadrafire.com).

### FOUR-POINT BURN SYSTEM

The patented Quadra-Fire Four-Point Burn System produces intense rolling flames. Four combustion cycles extend the heat, enhance the fire and increase efficiency for durable, long-lasting performance.

To learn more visit [quadrafire.com](http://quadrafire.com).

# 7100 EPA WOOD FIREPLACE

## FEATURES

- 92,400 BTU<sup>1</sup> — heats 1,200 to 3,000 square feet, based on climate and home efficiency
- 3.4 cu. ft. interior capacity / 24" maximum log length
- Up to 16 hours of burn time from each load of wood
- EPA Phase-II certified, with emission levels of 3.1 g/hr

## OPTIONS

- Decorative firescreen
- Black, Satin Nickel or Gold trim
- Valley Forge, Mission Hill, or Rolling Meadows front styles
- Heat Zone<sup>®</sup> kits to distribute heat to additional rooms



7100 shown with valley forge front and satin nickel door trim



Optional decorative firescreen



Door trim options

## THREE DURABLE FRONTS FIT MANY HOME STYLES AND DÉCORS



**Valley Forge** - The Valley Forge has a textured surface and is trimmed in 1/2" and 5/8" twisted iron bar stock.

Shown left with satin nickel door trim.



Valley Forge front detail



**Mission Hill** - The Mission Hill has a smooth surface with coined and layered strap iron and raised corner details.

Shown left with satin nickel door trim.

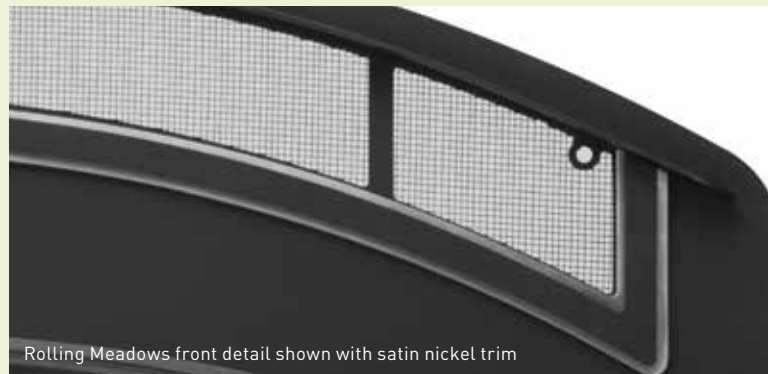


Mission Hill front detail



**Rolling Meadows** - The Rolling Meadows has a flat steel surface with raised edging in all black, or with satin nickel trim.

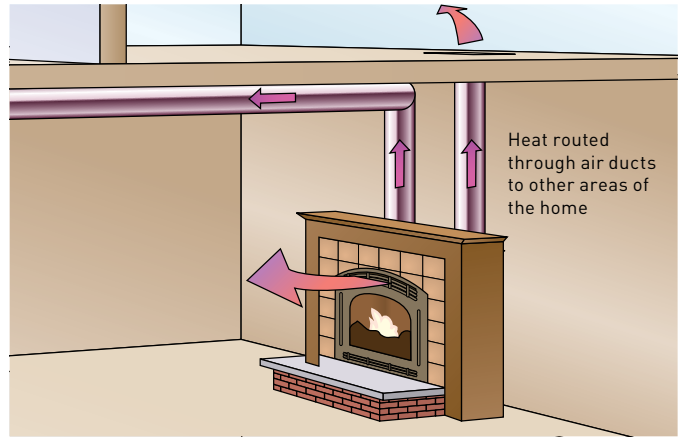
Shown left with satin nickel front and door trim.



Rolling Meadows front detail shown with satin nickel trim

## REMOTE ZONE HEATING CAPABILITIES

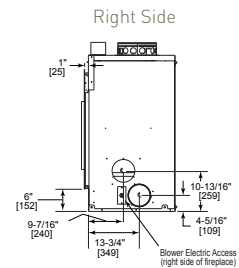
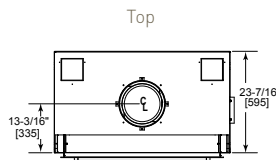
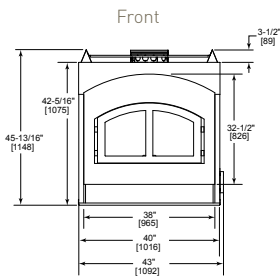
The 7100 can also supplement your home heating with two optional Heat Zone systems. These systems allow you to route heated air to other areas of the home.



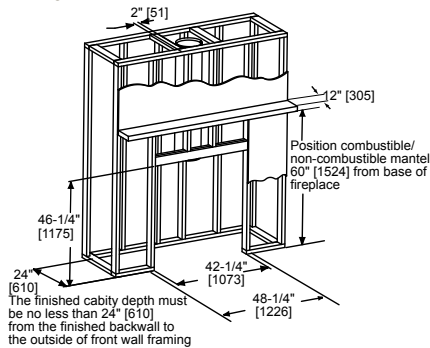
## 7100 SPECIFICATIONS

### Technical Data

	Peak BTU/Hour Output <sup>1</sup>	Burn Time <sup>3</sup>	Maximum Wood Length	Shipping Weight	Blower System	Heating Capacity <sup>2</sup>	Emissions (g/hr)	Efficiency <sup>5</sup>
7100	92,400	up to 16 hours	24"	670 lbs	280 cfm	1,200 - 3,000 sq. ft.	3.1	77.6%



### Framing Dimensions & Clearances



#### ENCLOSED AREA:

- Appliance to back wall ..... 1/2"
- Appliance to sidewall ..... 1"
- Duct boots to framing ..... 0"
- Top standoffs to header..... 0"

#### EXPOSED SURFACES:

- Faceplate to sidewall..... 16"
- Heat zone air grilles to ceiling ..... 12"

#### MANTEL:

- Minimum mantel height (from base)..... 60"
- Maximum mantel depth..... 12"

#### MIN. FLOOR PROTECTION:

- 20" deep by 41" wide, centered in front of fireplace

Available From:



Phone: 800-927-4356

Web: [www.quadrafire.com](http://www.quadrafire.com)

[facebook.com/QuadraFire](https://facebook.com/QuadraFire)

[twitter.com/QuadraFire](https://twitter.com/QuadraFire)

[youtube.com/QuadraFirePower](https://youtube.com/QuadraFirePower)

### Limited Lifetime Warranty<sup>4</sup>

The strongest in the industry, Quadra-Fire provides a limited lifetime warranty on the most important aspects: firebox and heat exchanger.

**1:** BTU: 1st hour output uses high burn efficiency number. BTU will vary depending on the type of fuel used and moisture content of the fuel. **2:** Heating capacity (in square feet) is a guideline only and may differ due to climate, building construction and condition, amount and quality of insulation, location of the heater, and air movement in the room. **3:** Actual burn times will vary based on how the appliance is operated, load size, moisture content and type of wood used, chimney height and installation **4:** For full warranty details go to [www.quadrafire.com](http://www.quadrafire.com). **5:** Weighted average LHV (Low Heating Value) efficiency.

IMPORTANT - READ BEFORE YOU INSTALL!

Refer to the Owner/Installation Manual for complete clearance requirements and specifications. The images and descriptions in this brochure are provided to assist you in product selection only.

Quadra-Fire is a registered trademark of Hearth & Home Technologies. Product specifications and pricing subject to change without notice.

Fireplace, stove and insert surfaces get extremely HOT and can cause severe burns if touched. Keep a safe distance away. To learn more visit [www.quadrafire.com/fireplacesafety](http://www.quadrafire.com/fireplacesafety).

QDF-1017U-0715